

11	MINI TIE	PE/BLACK IN COLOR	2	
10	CABLE SPEC	CABLE SPEC DETAIL SEE CHART A	1	
9	DC5.5*2.1-OUTER MOLD	PVC/BLACK IN COLOR	1	
9	DC5.5*2.1-INNER MOLD	MOLDING PE/NATURAL	1	
8	DC5.5*2.1-SHELL	STEEL/NICKEL PLATED	1	
7	DC5.5*2.1-INSULATOR	PBT/BLACK IN COLOR	1	
6	DC5.5*2.1-CONTACT	BRASS/NICKEL PLATED;SOLDER TYPE	1	
5	3P CONNECTOR-OUTER MOLD	MOLDING PVC/BLACK IN COLOR	1	
4	3P CONNECTOR-INNER MOLD	MOLDING PE/NATURAL IN COLOR	1	
3	3P CONNECTOR-THUMB SCREW	STEEL/NICKEL PLATED	3	
2	3P CONNECTOR-INSULATOR	POLYAMIDE/GREEN UL94V-0 (Pitch 5.0mm)	1	T-conn PN: 99-00843-B054-A
1	3P CONNECTOR-TERMINAL	PHOSPHOR BRONZE/TIN PLATED,	3	
NO.	PARTS NAME	STANDARD SPECIFICATION	Q'TY	SUPPLIER

MATERIAL LIST

DESCRIPTION
3PIN CONNECTOR TO
DC5.5*2.1 MALE

CyberPower®

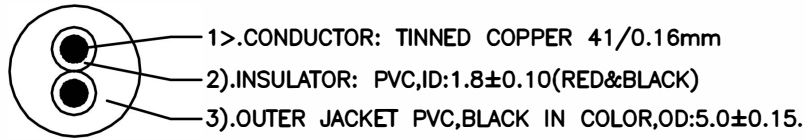


CHART A

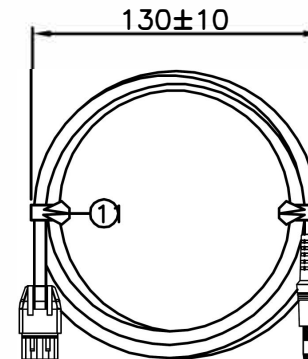
NOTES:

- 1.CABLE SPEC: UL-2464 18AWG*2C
CABLE SPEC DETAIL CHART A [(41/0.16TC)*2C]*1C.
OUTER JACKET PVC,BLACK IN COLOR,OD:5.0±0.15.
PRINT WORD: " E198848-D ㄱ (UL) CMR - CMX 75°C 18AWG
E124763-D AWM 2464 80°C 300V VW-1 CYBERPOWER".

2.ELECTRICAL TEST

- <1>.100% OPEN SHORT & MISS WIRE TEST.
- <2>.INSULATION RESISTANCE: DC 400V 20M ohm MIN.
- <3>.CONDUCTOR RESISTANCE: 3 ohm MAX.

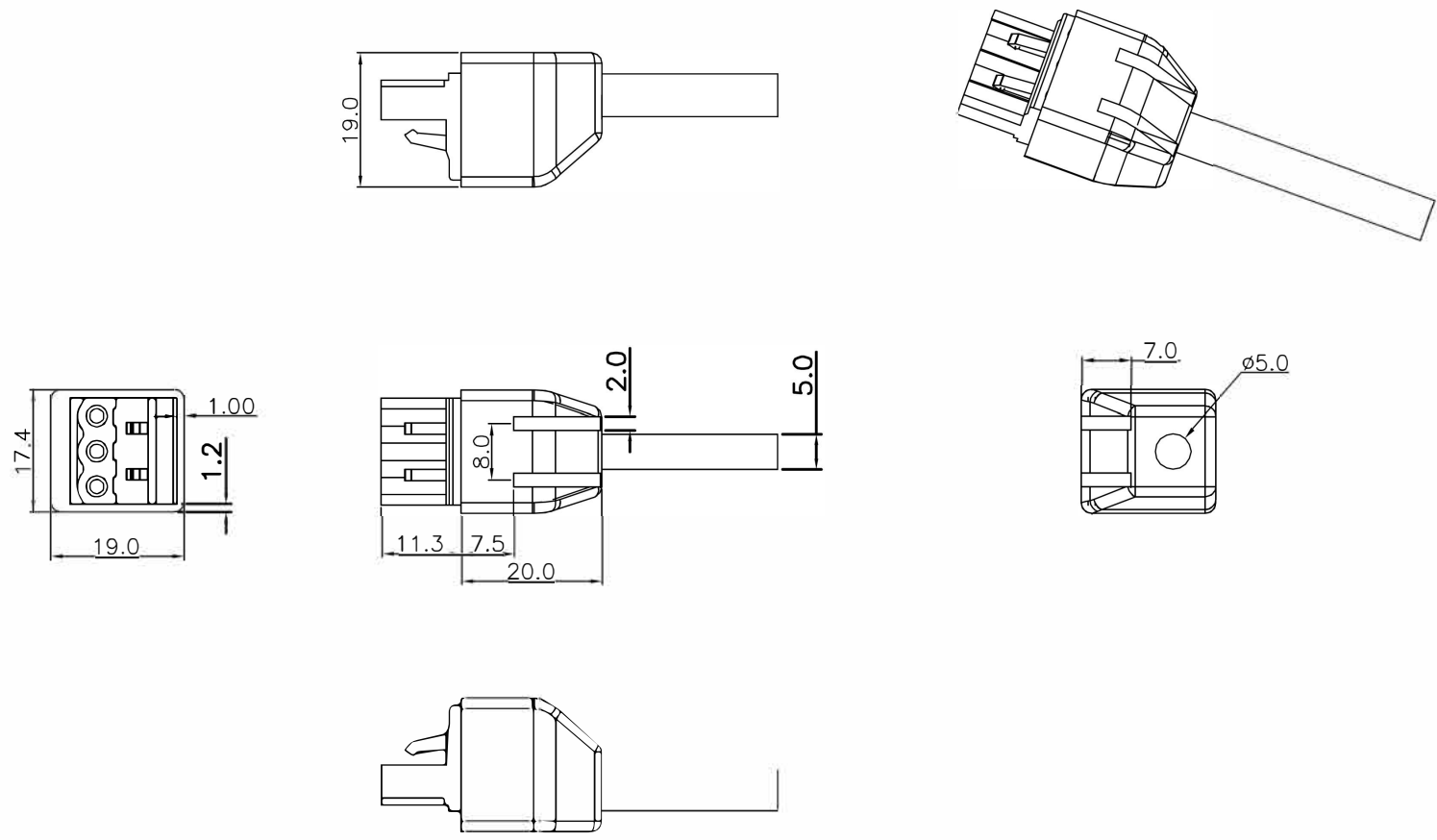
3.PACKING: BULK.



HANK CHART

<p>DESCRIPTION 3PIN CONNECTOR TO DC5.5*2.1 MALE</p>
--

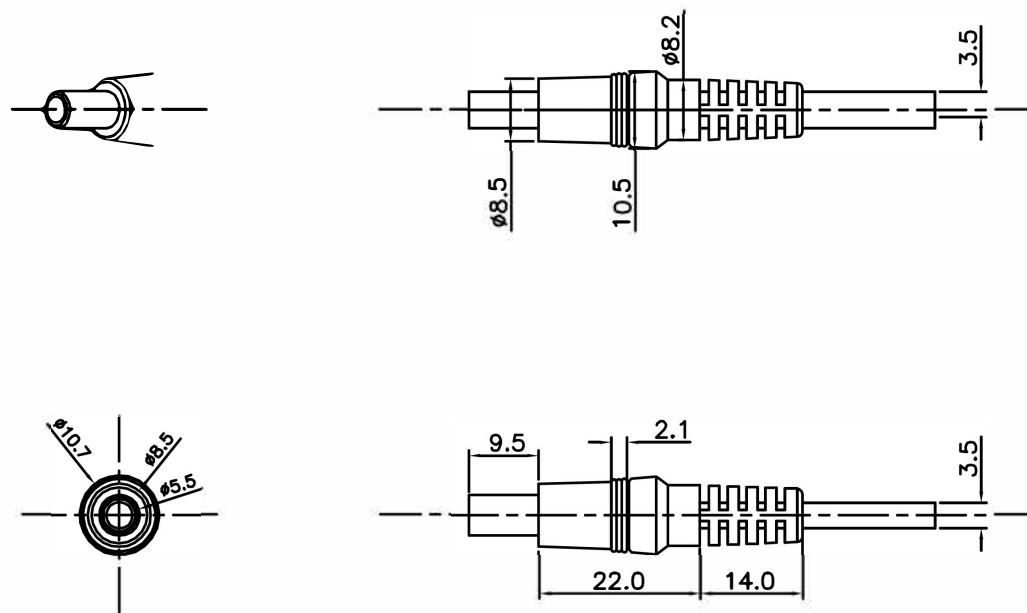




未注公差为：
X.X=±0.2
X.XX=±0.1

DESCRIPTION
3PIN CONNECTOR
Molding Type





未注公差爲：
X.X=±0.2；
X.XX=±0.1

DESCRIPTION
DC 5.5*2.1 MALE
Molding Type

CyberPower®