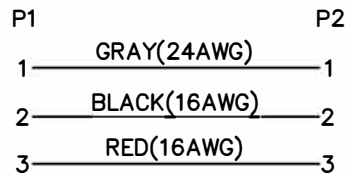


REFERENCE TABLE:

L±T(mm)	W±T(mm)
1220±25	120±10
1830±30	140±10
3050±50	150±10

PIN OUT



7	MINI TIE	PE/BLACK IN COLOR	2	
6	CABLE	CABLE SPEC DETAIL SEE CHART A	1*2	
5	3P HOUSING-OUTER MOLD	MOLDING PVC/BLACK IN COLOR	1*2	
4	3P HOUSING-INNER MOLD	MOLDING PE/NATURAL IN COLOR	1*2	
3	3P HOUSING-THUMB SCREW	STEEL/NICKEL PLATED	3*2	
2	3P HOUSING-INSULATOR	POLYAMIDE/GREEN UL94V-0 (Pitch 5.00mm)	1*2	T-conn PN: 99-00843-B054-A
1	3P HOUSING-TERMINAL	PHOSPHOR BRONZE/TIN PLATED,	3*2	
NO.	PARTS NAME	STANDARD SPECIFICATION	Q'TY	SUPPLIER

MATERIAL LIST

DESCRIPTION
3PIN HOUSING TO 3PIN HOUSING
MOLDING TYPE

CyberPower®

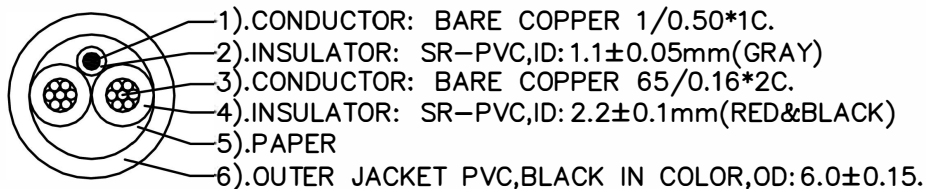


CHART A

NOTES:

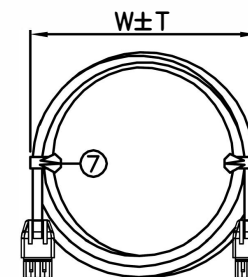
1.CABLE SPECIFICATION: UL2464 16AWG*2C+24AWG*1C+P.
 (65/0.16BC*2C+1/0.50BC*1C+PAPER)*1C.
 OUTER JACKET PVC,BLACK IN COLOR,OD: 6.0±0.15.

PRINT WORD: " E198848-D (UL) CMX Outdoor – CMR 75°C 1Cx24AWG/2Cx16AWG
 E124763-D AWM 2464 80°C 300V VW-1 CYBERPOWER".

2.ELECTRICAL TEST

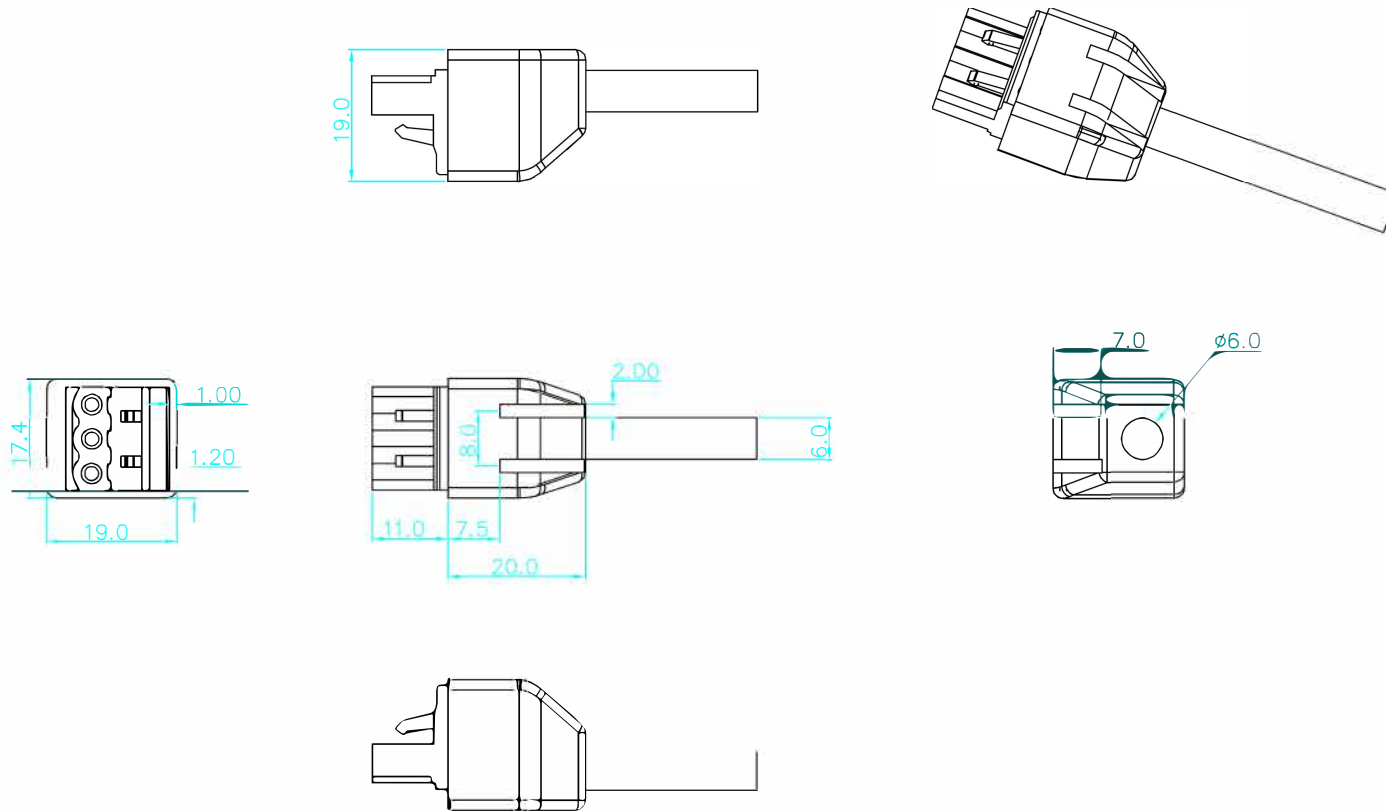
- <1>.100% OPEN SHORT & MISS WIRE TEST
- <2>.INSULATION RESISTANCE: DC 400V 50M ohm MIN
- <3>.CONDUCTOR RESISTANCE: 2 ohm MAX

3.PACKING:1PCS/PE BAG.



HANK CHART

CyberPower®



未注公差为：
X.X=±0.2
X.XX=±0.1

CyberPower®