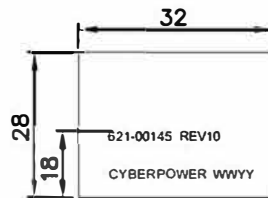


AACY1-848-01000



AACY1-848-03000

WW:WEEK · YY:YEAR

Synthetic paper: White background black print word, Arial 10.

LABEL

PIN OUT



REFERENCE TABLE:

CP P/N	MODEL	L±T	W±T
1W0-0000163-01G	CBL7PIN350BRL-003-BLK	1000±25	110~120
1W0-0000164-01G	CBL7PIN350BRL-010-BLK	3000±50	140~150



11	MINI TIE	PE/BLACK IN COLOR	2	
10	LABEL	WHITE BLACKGROUND AND BLACK TEXT	1	
9	CABLE SPEC	CABLE SPEC DETAIL SEE CHART A	1	
8	7P HOUSING-OUTER MOLD	MOLDING PVC/BLACK IN COLOR	1	
7	7P HOUSING-INNER MOLD	MOLDING PE/NATURAL IN COLOR	1	
6	7P HOUSING-INSULATOR	NYLON/GREEN UL94V-0 (PN: 99-00800-B054-A)	1	
5	7P HOUSING-CONTACT	PHOSPHOR BRONZE/TIN PLATED	7	T-conn
4	5.5*2.5DC/M-OUTER MOLD	MOLDING PVC/BLACK IN COLOR	1	
3	5.5*2.5DC/M-STEEL	STEEL/NICKEL PLATED	1	
2	5.5*2.5DC/M-INSULATOR	PBT/YELLOW UL94V-0 (PN/55DP2511)	1	YONGLIHUA PN/55DP2511
1	5.5*2.5DC/M-CONTACT	BRASS/NICKEL PLATED;SOLDER TYPE	1	
NO.	PARTS NAME	STANDARD SPECIFICATION	Q'TY	SUPPLIER

MATERIAL LIST

CyberPower

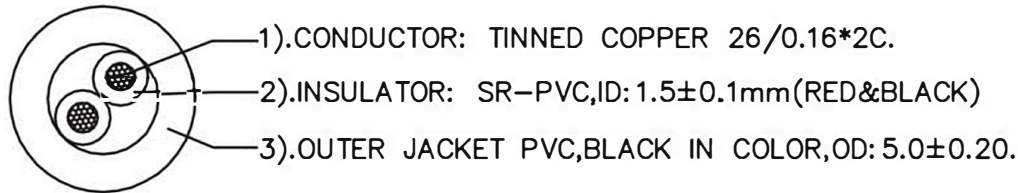
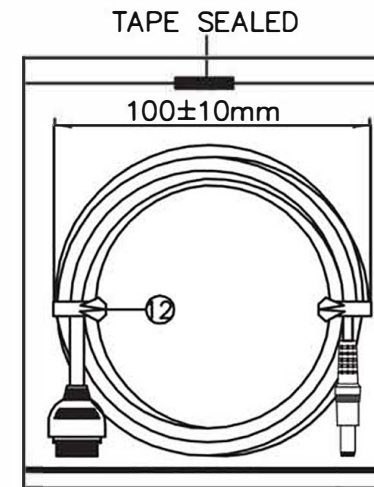


CHART A

NOTES:

- 1.CABLE SPECIFICATION: UL-2464 20AWG*2C.
(26/0.16TC*2C)*1C.
OUTER JACKET PVC,BLACK IN COLOR,OD: 5.0±0.20.
PRINT WORD: "E313087 AWM STYLE 2464 80°C 300V VW-1 CYBERPOWER".
- 2.ELECTRICAL TEST
 - <1>.100% OPEN SHORT & MISS WIRE TEST
 - <2>.INSULATION RESISTANCE: DC 400V 50M ohm MIN
 - <3>.CONDUCTOR RESISTANCE: 3 ohm MAX
- 3.PACKING: 1PC/PE BAG+WHITE CARTON.



HANK CHART

CyberPower

DESCRIPTION
5.5*2.5DC MALE TO
7PIN HOUSING