

STRIP & TINNED 7P HOUSING

- | | | |
|----|---------------|----|
| P1 | RED(20AWG) | P2 |
| | BLACK(20AWG) | 1 |
| | GREEN(22AWG) | 2 |
| | GRAY(22AWG) | 3 |
| | BROWN(22AWG) | 4 |
| | BLUE(22AWG) | 5 |
| | ORANGE(22AWG) | 6 |
| | | 7 |

PIN OUT

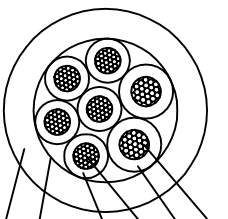
REFERENCE TABLE:

CP P/N	MODEL	Customer P/N	LFT	WFT
1W0-0000206-00G	CBL7PIN500-005-BLK	621-00147	1525±30	120~130
1W0-0000207-00G	CBL7PIN500-010-BLK	621-00148	3050±50	140~150
1W0-0000208-00G	CBL7PIN500-020-BLK	621-00149	6100±100	160~170

NO.	PARTS NAME	STANDARD SPECIFICATION	Q'TY	SUPPLIER
7	MINI TIE	PE/BLACK IN COLOR	2	
6	LABEL	WHITE BLACKGROUND AND BLACK TEXT	1	
5	CABLE SPEC	CABLE SPEC DETAIL SEE CHART A	1	
4	7P HOUSING/M-OUTER MOLD	MOLDING PVC/BLACK IN COLOR	1	
3	7P HOUSING/M-INNER MOLD	MOLDING PE/NATURAL IN COLOR	1	
2	7P HOUSING/M-INSULATOR	PBT/GRAY UL94V-0 (PN/MF101-500-07EV)	1	DECA
1	7P HOUSING/M-CONTACT	PHOSPHOR BRONZE/TIN PLATED;SOLDER TYPE	7	MF101-500-07EV
		STANDARD SPECIFICATION		

MATERIAL LIST





- 1). CONDUCTOR: BARE COPPER 21/0.18*2C.
- 2). INSULATOR: SR-PVC, ID: 1.6±0.1mm (RED & BLACK)
- 3). CONDUCTOR: BARE COPPER 17/0.16*5C.
- 4). INSULATOR: SR-PVC, ID: 1.3±0.05mm (ORANGE & BLUE & BROWN & GRAY & GREEN)
- 5). AL/FOIL
- 6). OUTER JACKET PVC, BLACK IN COLOR, OD: 7.0±0.25.

CHART A

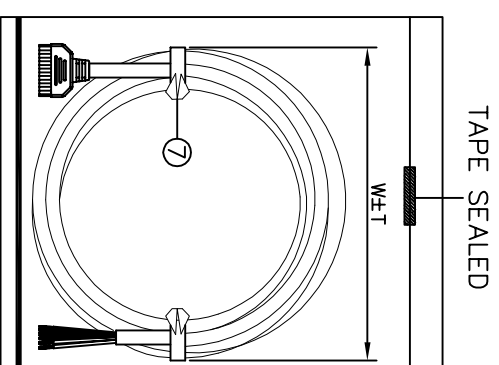
NOTES:

1. CABLE SPECIFICATION: UL2464 20AWG*2C+22AWG*5C.
 [21/0.18BC*2C+17/0.16BC*5C+AL/FOIL]*1C.
 OUTER JACKET PVC, BLACK IN COLOR, OD: 7.0±0.25.

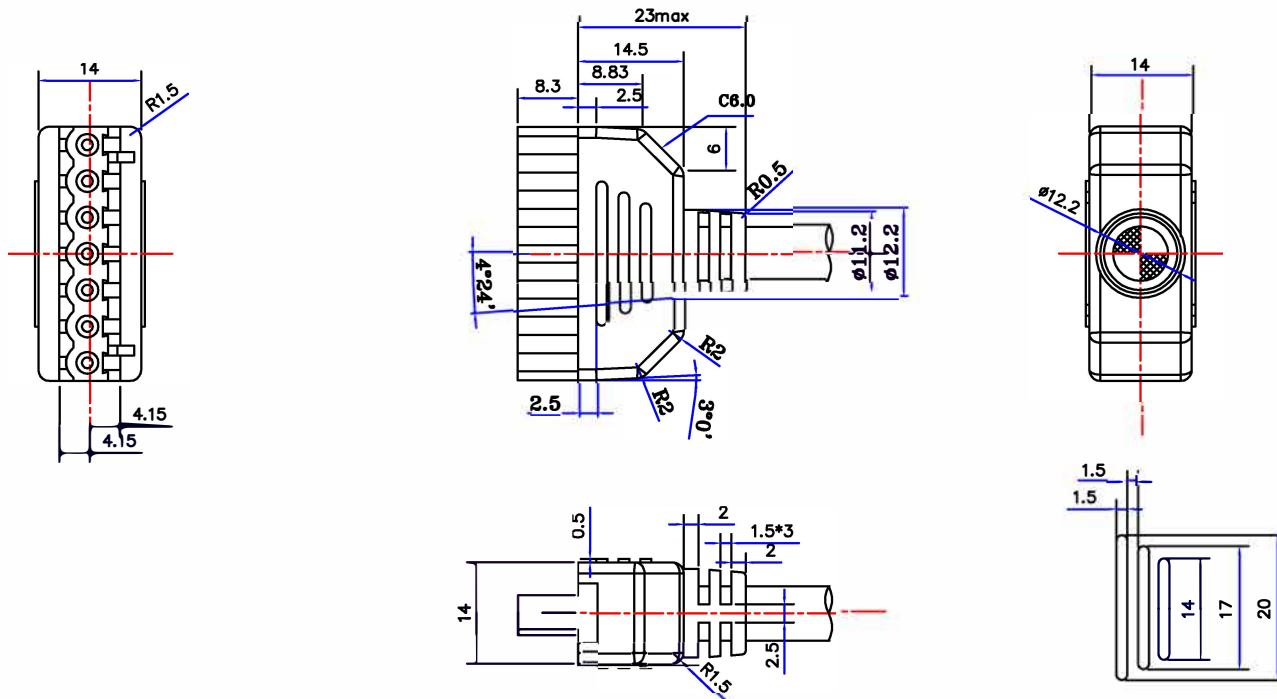
PRINT WORD: "E313087 RJ AWM STYLE 2464 80 C 300V WW-1 CYBERPOWER".

2. ELECTRICAL TEST

- <1>. 100% OPEN SHORT & MISS WIRE TEST
- <2>. INSULATION RESISTANCE: DC 400V 50M ohm MIN
- <3>. CONDUCTOR RESISTANCE: 3 ohm MAX
- 3. PACKING: 1PC/PE BAG+WHITE CARTON.



HANK CHART



TOLERANCE:
 X ±0.2
 .X ±0.1
 .XX ±0.05

CyberPower®

MF101-500□□EV

RoHS
Compliant

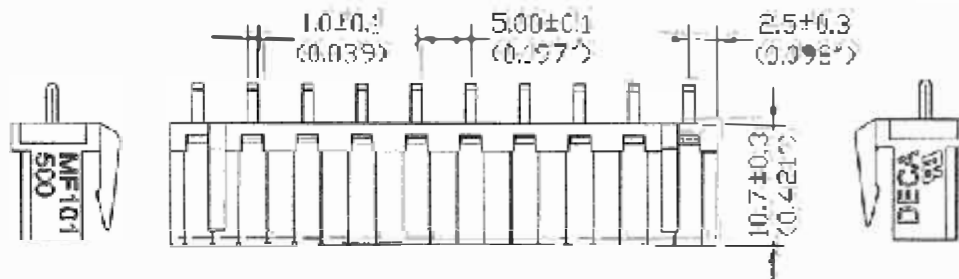
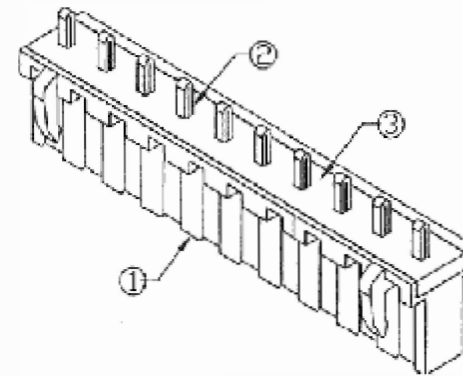
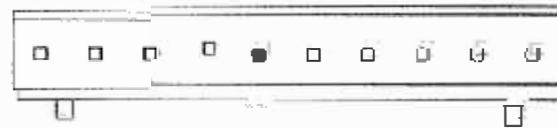


□□ : Poles

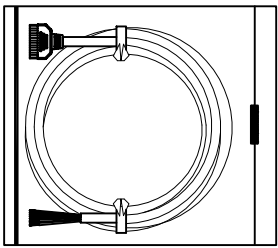
500 : Pitch 5.00mm

101 : Standard

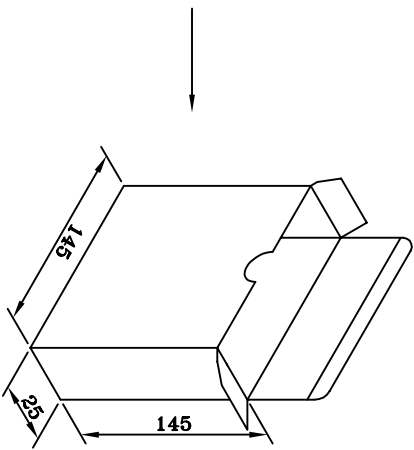
MF : Type



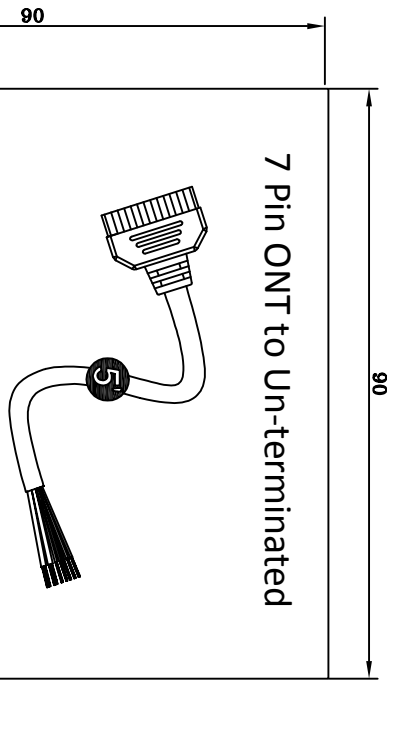
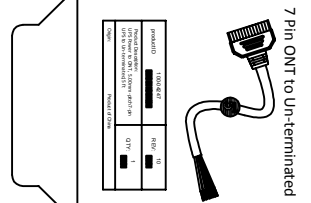
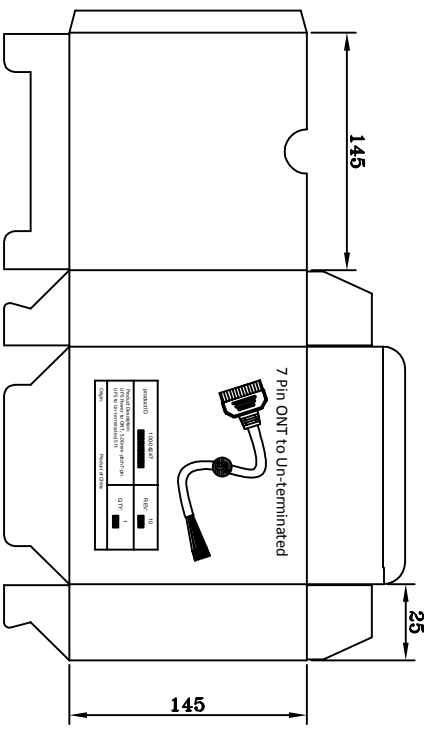
CyberPower®



1PC EACH PE BAG



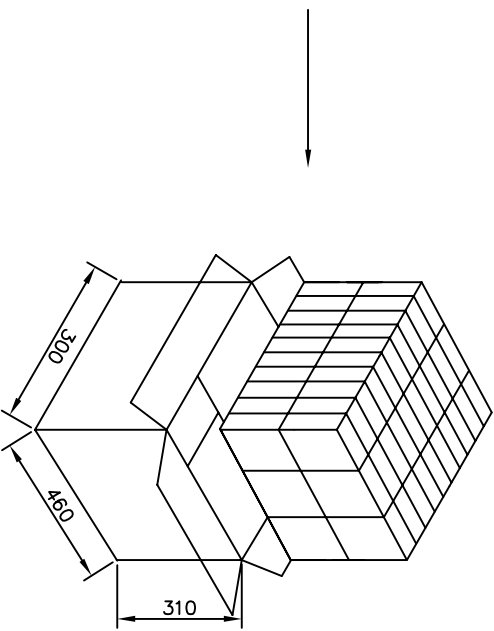
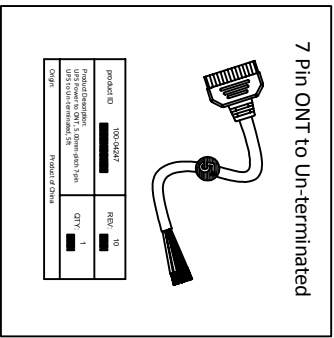
1PCS PER BOX+PE BAG
CARTON: WHITE IN COLOR



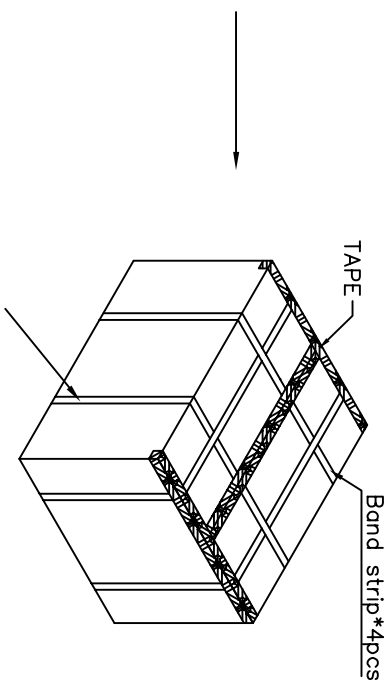
product ID	100-04247	REV:	10
Product Description:	UPS Power to ONT, 5.00mm pitch 7-pin UPS to un-terminated, 5ft		
QTY:	1	Origin:	Product of China
76.2		38.8	

INNER BOX SHIPPING MARK:
(BACK SIDE/BLACK PRINT WORD)

CyberPower®

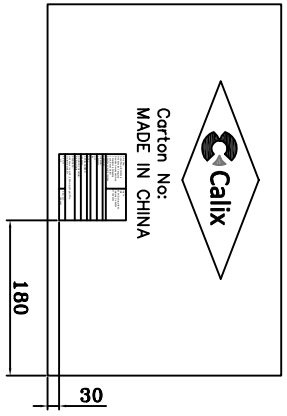


60PCS BOX PER OUTER CARTON

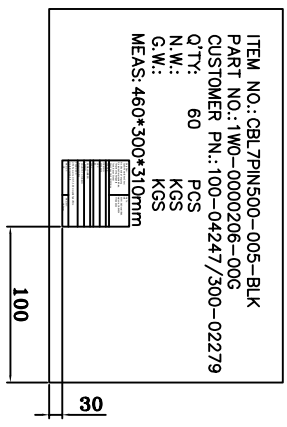


CARTON: YELLOW IN COLOR

CARTON SHIPPING MARK:
(BOTH SIDE)



CARTON SIDE MARK:
(BOTH SIDE)

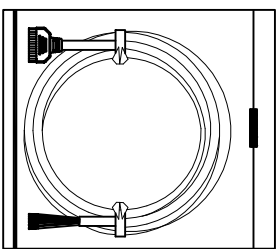


105mm		100mm	
Ship From:	CyberPower (Shenzhen)	Ship To:	Calix
	No. 2 Budside, Yangyong Riverside Development Area, Tangxiayong, Songgang Town, Baoan District Shenzhen City, 518105 China		1035 N. McDowell Blvd. Petaluma, CA 94954 877-766-3500
TRANS. ID:			
ITEM NO.:	300-02279		
QTY:	60		
CLIENT:			
SERIAL NUMBER:	100-04247		
COUNTRY OF ORIGIN:	Product of China		
PROD DESC:	Ups Power to ONT, 5.00mm-pitch 7-pin UPS to Un-terminated, 5 ft		
PKG CT:	OF	PKG WT:	LBS approx.

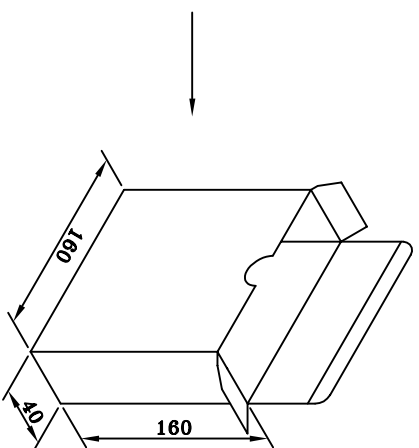
LABEL

*.CARTON SIZE:L460*W300*H310mm,MATERIAL:K=K YELLOW IN COLOR

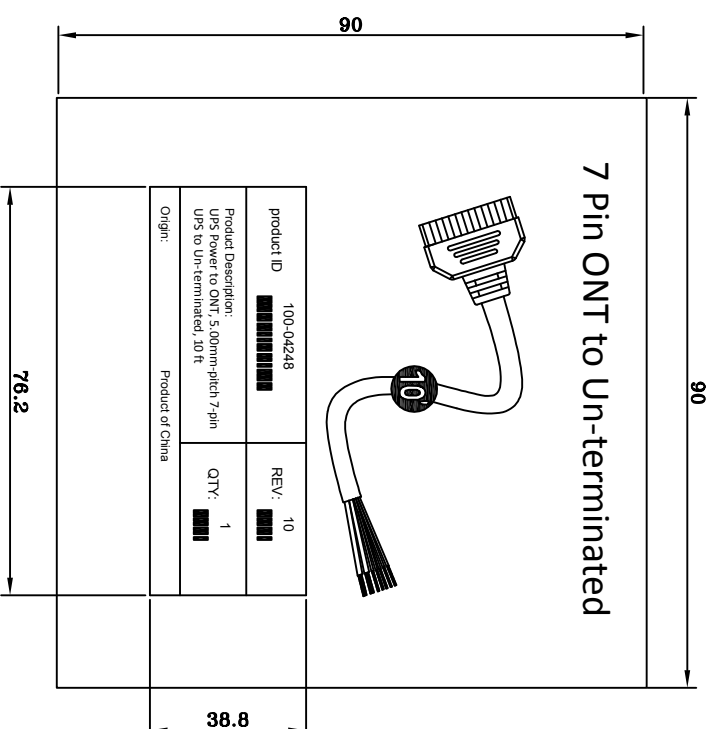
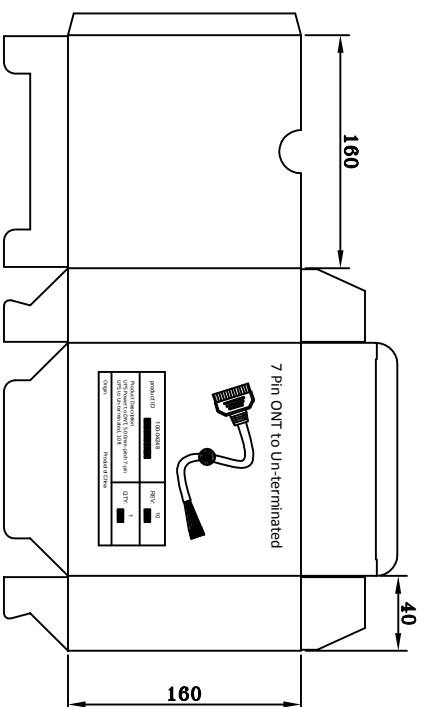
CyberPower®



1PC EACH PE BAG

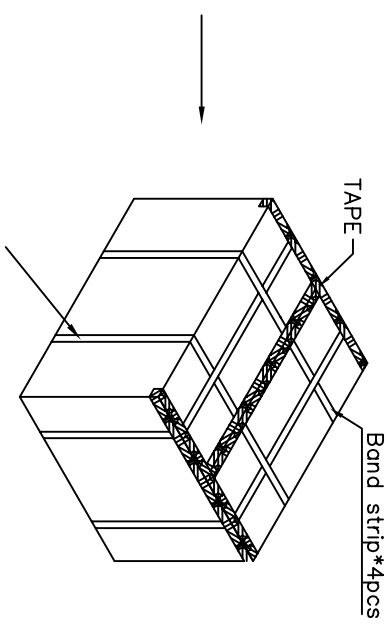
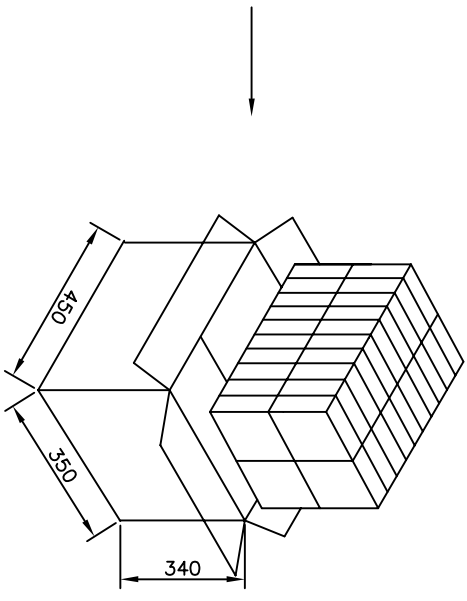
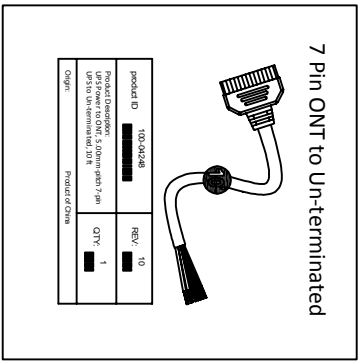


1PCS PER BOX+PE BAG
 CARTON: WHITE IN COLOR

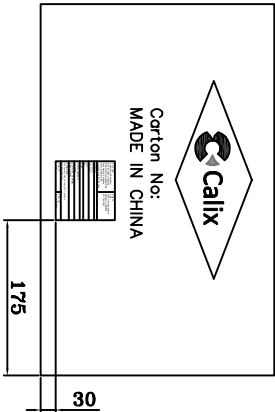


INNER BOX SHIPPING MARK:
 (BACK SIDE/BLACK PRINT WORD)

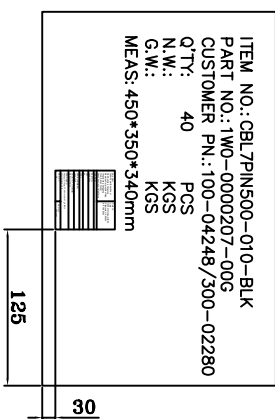
CyberPower®



CARTON SHIPPING MARK:
(BOTH SIDE)



CARTON SIDE MARK:
(BOTH SIDE)

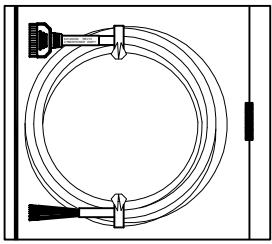


*.CARTON SIZE: L450*W350*H340mm, MATERIAL: K=K YELLOW IN COLOR

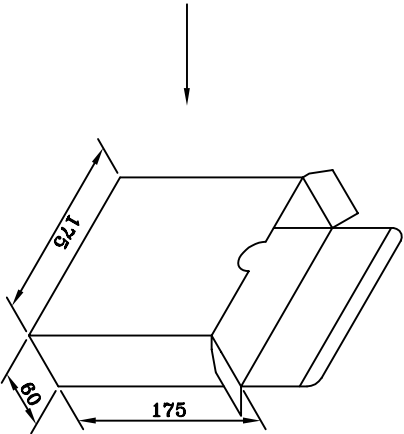
105mm		100mm	
Ship From:	CyberPower (Shenzhen) No.2 Buidside, Yangyong Riverside Development Area, Tangxiayong, Songgang Town, Baoan District Shenzhen City, 518106 China	Ship To:	Calix 1035 N. McDowell Blvd. Petaluma, CA 94954 877-766-3500
TRANS ID:			
ITEM NO:	300-02280		
QTY:	40		
CLEI:			
SERIAL NUMBER:			
COUNTRY OF ORIGIN:	100-04248 Product of China		
PROD DESC:	UPS Power to ONT, 5.00mm-pitch 7-pin UPS to Un-terminated, 10 ft		
PKG CT:	OF	PKG WT:	LBS approx.

LABEL

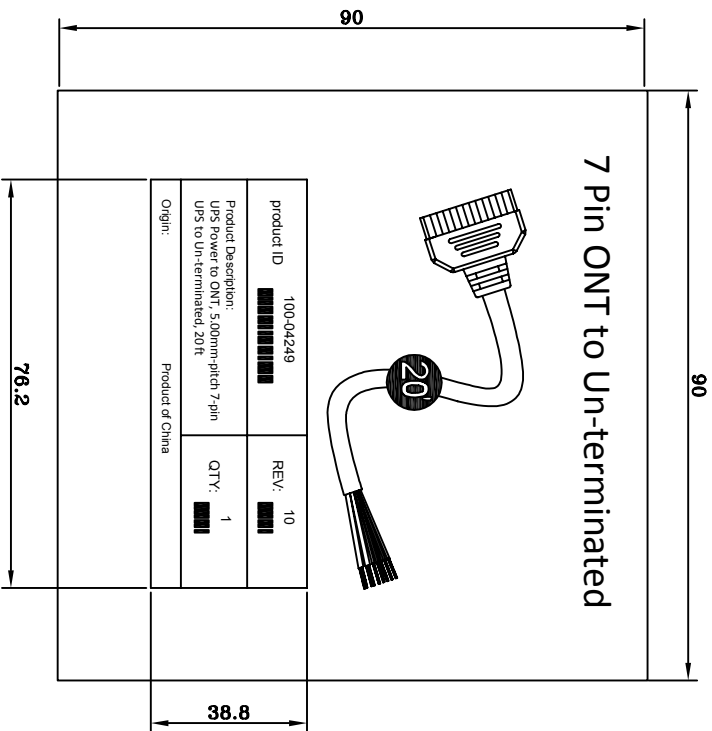
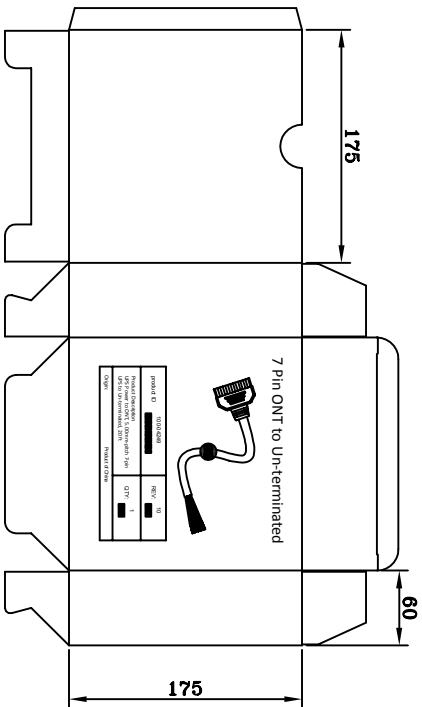
CyberPower®



1PC EACH PE BAG

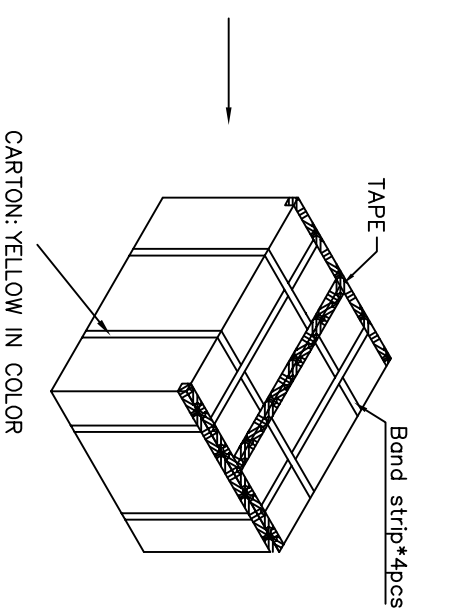
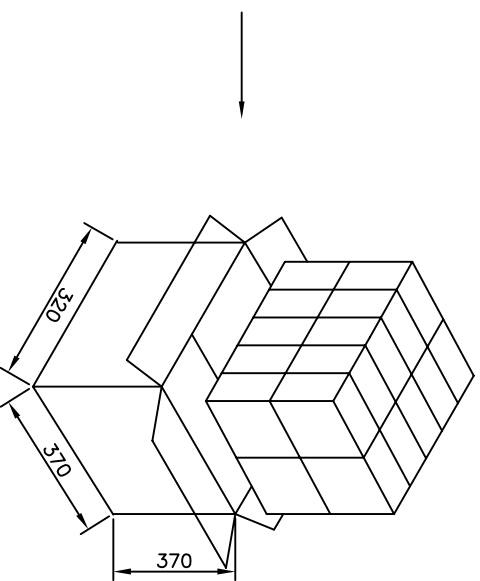
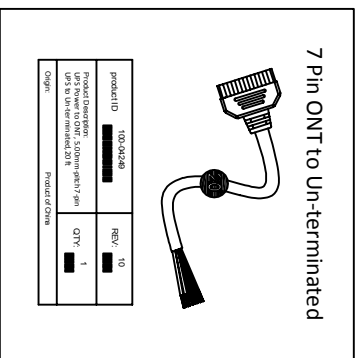


1PCS PER BOX+PE BAG
 CARTON: WHITE IN COLOR

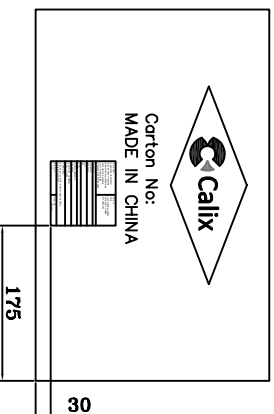


INNER BOX SHIPPING MARK:
 (BACK SIDE/BLACK PRINT WORD)

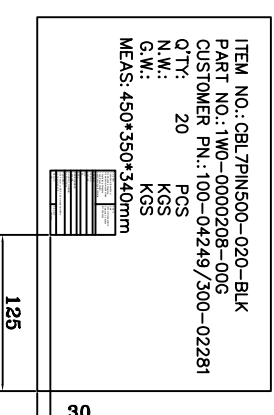
CyberPower®



CARTON SHIPPING MARK:
(BOTH SIDE)



CARTON SIDE MARK:
(BOTH SIDE)



105mm		100mm	
Ship From:	CyberPower (Shenzhen) No.2 Budeide, Yangyong Riverside Development Area, Tangxiayong, Songgang Town, Baoan District Shenzhen City, 518105 China	Ship To:	Calix 1035 N. McDowell Blvd. Petaluma CA 94954 877-766-3500
TRANS ID:			
ITEM NO:	300-02281		
QTY:	20		
CLEI:			
SERIAL NUMBER:	100-04249		
COUNTRY OF ORIGIN:	Product of China		
PROD DESC:	UPS Power to ONT, 5.00mm-pitch 7-pin UPS to Un-terminated, 20 ft		
PKG CT:	OF	PKG WGT:	LBS approx.

*.CARTON SIZE: L370*W320*H370mm, MATERIAL:K=K YELLOW IN COLOR.

LABEL

CyberPower®