

PIN OUT

MD 9P/M		STRIP
P1		P2
1+2	RED	
8+9	BLACK	
3	GREEN	
4	GRAY	
5	BROWN	
6	BLUE	
7	ORANGE	

8	MINI TIE	PE/BLACK IN COLOR	2	
7	CABLE SPEC	CABLE SPEC DETAIL SEE CHART A	1	
6	MD 9PIN/M-DUST COVER	PET/TRANSPARENT IN COLOR	1	
5	MD 9PIN/M-OUTER MOLD	OUTER MOLDING PVC,BLACK IN COLOR	1	
4	MD 9PIN/M-INNER MOLD	MOLDING PE/NATURAL IN COLOR	1	
3	MD 9PIN/M-SHELL	BRASS/NICKEL PLATED	1	
2	MD 9PIN/M-INSULATOR	P.B.T/BLACK IN COLOR	1	
1	MD 9PIN/M-CONTACT	BRASS/PIN NICKEL PLATED, SOLDER TYPE	9	
NO.	PARTS NAME	STANDARD SPECIFICATION	Q'TY	SUPPLIER

MATERIAL LIST

DESCRIPTION	
MINI DIN 9P MALE TO STRIP	CyberPower®

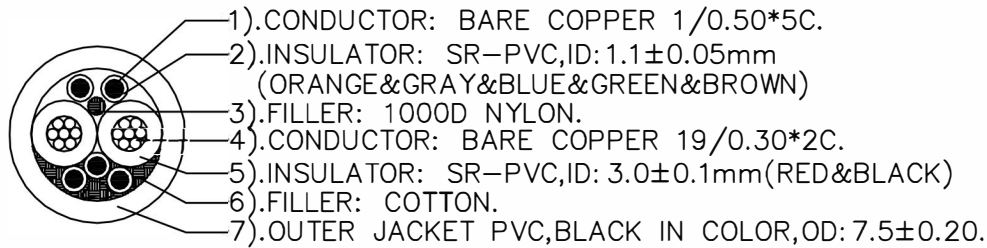
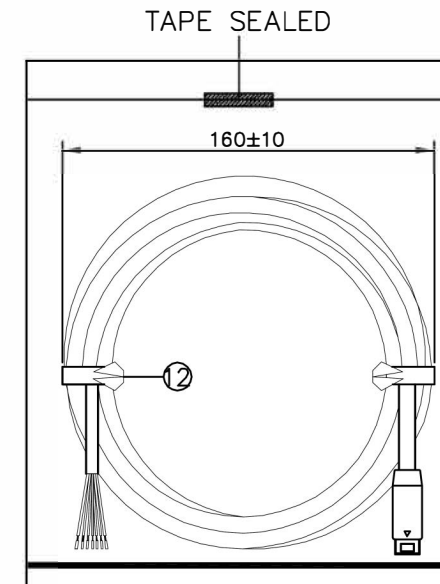


CHART A

NOTES:

- 1.CABLE SPECIFICATION: UL2464 16AWG*2C+24AWG*5C.
 [19/0.30BC*2C+1/0.50BC*5C+1000D NYLON+COTTON]*1C.
 OUTER JACKET PVC,BLACK IN COLOR,OD: 7.5±0.20.
 PRINT WORD: "E313087 ㄨ AWM STYLE 2464 80°C 300V VW-1 CYBERPOWER".
- 2.ELECTRICAL TEST
 - <1>.100% OPEN SHORT & MISS WIRE TEST
 - <2>.INSULATION RESISTANCE: DC 400V 50M ohm MIN
 - <3>.CONDUCTOR RESISTANCE: 5 ohm MAX
- 3.INSERTION/PULL OUT TEST:
 - <1>.PLUG (INSERTION/PULLING FORCE)BY 7.2±0.8KG
- 4.PACKING:1PC/PE BAG+WHITE CARTON.



HANK CHART

<p>DESCRIPTION MINI DIN 9P MALE TO STRIP</p>	
--	--